

# Mobile Robots HD Series

## Autonomous Mobile Robots (AMRs) that self-navigate to transport heavy payloads

- Natural feature navigation:  
Automatically plans efficient routes and prevents collisions
- Fleet management:  
Operates in coordination with a fleet of up to 100 mobile robots
- Easy deployment:  
Installs quickly, without facility modifications



## Ordering Information




### Mobile Robots-HD Platform

Appearance	Product Name	Maximum Load	Maximum Speed	Configuration and Attachment	Part Number	
	HD-1500	1500 kg	1800 mm/s	Mobile Robot, HD-1500, No Battery	37480-00000	
				Mobile Robot, HD-1500, No Battery Single HAPS (Factory installed)	:37480-00000 :68925-010	37480-00100
				Mobile Robot, HD-1500, No Battery Double HAPS (Factory installed)	:37480-00000 :68925-020	37480-00200
				Mobile Robot, HD-1500, No Battery Side Lasers (Factory installed)	:37480-00000 :68945-010	37480-00010
				Mobile Robot, HD-1500, No Battery Single HAPS (Factory installed) Side Lasers (Factory installed)	:37480-00000 :68925-010 :68945-010	37480-00110
				Mobile Robot, HD-1500, No Battery Double HAPS (Factory installed) Side Lasers (Factory installed)	:37480-00000 :68925-020 :68945-010	37480-00210
				Starter Kit, Mobile Robot, HD-1500, No Battery Docking Station Pendant Top Plate (Factory installed)	:37480-00000 :68910-010 :68940-000L :68950-000	37480-10004
				Starter Kit, Mobile Robot, HD-1500, No Battery Docking Station Single HAPS (Factory installed) Pendant Top Plate (Factory installed)	:37480-00000 :68910-010 :68925-010 :68940-000L :68950-000	37480-10104
				Starter Kit, Mobile Robot, HD-1500, No Battery Docking Station Double HAPS (Factory installed) Pendant Top Plate (Factory installed)	:37480-00000 :68910-010 :68925-020 :68940-000L :68950-000	37480-10204
				Starter Kit, Mobile Robot, HD-1500, No Battery Docking Station Single HAPS (Factory installed) Pendant Top Plate (Factory installed) Side Lasers (Factory installed)	:37480-00000 :68910-010 :68925-010 :68940-000L :68950-000 :68945-010	37480-10114
				Starter Kit, Mobile Robot, HD-1500, No Battery Docking Station Double HAPS (Factory installed) Pendant Top Plate (Factory installed) Side Lasers (Factory installed)	:37480-00000 :68910-010 :68925-020 :68940-000L :68950-000 :68945-010	37480-10214
				Bundle, Mobile Robot, HD-1500, No Battery Docking Station	:37480-00000 :68910-010	37480-00002
				Battery for HD-1500		68330-000

**Note:** To ensure proper fleet management, please contact an OMRON representative before ordering mobile robots to add to an existing fleet.

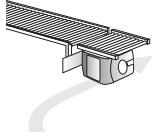
## HD Series

### Fleet Operations Workspace Solutions





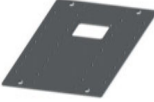

Appearance	Product Name	Configuration & Attachment	Part Number
	Primary Fleet Operations Workspace (FLOW) Core License, 1 Year	Entitlement for a 1 year renewable Primary FLOW Core license per AMR	20271-800
	Primary Fleet Operations Workspace (FLOW) Core License, 5 Year	Entitlement for a 5 year renewable Primary FLOW Core license per AMR	20271-806
	Secondary Fleet Operations Workspace (FLOW) Core License, 1 Year	Entitlement for a 1 year renewable Secondary FLOW Core License per fleet	20271-802
	Secondary Fleet Operations Workspace (FLOW) Core License, 5 Year	Entitlement for a 5 year renewable Secondary FLOW Core License per fleet	20271-807
	Primary Fleet Manager	EM2100 Appliance with Temporary 120 Day Fleet Operations Workspace License	20271-900
	Secondary Fleet Manager	EM2100 Appliance with Temporary 120 Day Fleet Operations Workspace License	20271-901
	Bundle. Fleet Simulator	Package includes: Entitlement for perpetual Fleet Simulator License and EM2100 appliance	20271-903
	License, Fleet Simulator	Entitlement for perpetual Fleet Simulator license for existing EM2100 devices	20271-804

- \* To obtain the latest version of the Fleet Operations Workspace (FLOW) Core software, contact your local OMRON representative. Please note that an active subscription is required for access to software upgrades.
- \* Expiration of a 1 year subscription license without renewal will result in cessation of the fleet management functions of the OMRON AMR solution until the license is renewed.
- \* After four consecutive 1 year renewals (for a total of 5 years) or after purchase of a 5 year license, all fleet management functions will continue to operate without requiring subsequent subscription renewals. Please note that an active subscription will still be required to have access to subsequent software releases, including bug fixes, feature upgrades and performance improvements.

### Options

Appearance	Product Name	Specification	Configuration & Attachment	Part Number
	Cell Alignment Positioning System (CAPS)	Software license	Software license activated on each AMR individually.	20271-805

## Accessories

Appearance	Product Name	Specification	Configuration & Attachment	Part Number
	Battery	For HD-1500 models	HD-1500 battery	68330-000
	Docking Station (Part number: 68910-010)	Both wall or floor mount	Power Supply	68310-000
			Charging Target	68910-000
	Pendant	Cable length: 0.6 to 3 m	Includes a 3-position enabling switch	68940-000L
	Top Plate	Top cover for HD-1500	Kit includes mounting hardware and a cover for the User Access Panel	68950-000
	Side Lasers	270 degree field of view, 8 m detection range.	Side lasers may be mounted in the standard location on the AMR, or moved to a custom location. The kit comes with brackets that may be used if the lasers are not mounted in the standard location.	68945-010

# HD Series

## Specifications

### Mobile Robots-HD Platform

Item	HD-1500	Note	
Materials	Structural components are made from low carbon steel and cast aluminum, nonstructural parts are aluminum		
Dimension (L x W x H)	1696 x 1195 x 370 mm		
Weight (with Battery)	585 kg		
Environment	Ambient temperature	5 to 40 °C	
	Ambient humidity	5 to 95% (non-condensing)	
	Operating Environment	Indoor usage only, no excessive dust, no corrosive gas	Direct sunlight may cause safety laser false positive
	IP rating	IP20	
Floor Conditions	Floor Requirements	concrete, epoxy floor (no water, no oil, no dirt)	
	Minimum floor flatness	F <sub>F</sub> 25 (ACI 117 standard)*	* ACI 117 is the American Concrete Institute standard for concrete floors.
	Traversable step	10 mm max.	Maximum speed of 500 mm/sec forward and 400 mm/sec backwards
	Traversable gap	20 mm max.	
	Climb grade	level floor only.	max. 3% incline
Navigation	Routing	Autonomous routing by localizing with safety scanning laser based on environment mapping	
	Environmental map making method	Scan by walking the mobile robot through the environment, and upload the scan data in the MobilePlanner	
Payload	Maximum Weight	1500 kg	
Mobility	Maximum Speed	1800 mm/s	
	Maximum Rotation Speed	60°/s	
	Stop Position Repeatability	± 50 mm position*	*±10 mm position, ±0.5° rotation with option, (High Accuracy Positioning System) ±8 mm position, ±1° rotation with option, (Cell Alignment Positioning System)
Drive wheels	Materials	Non-marking, static dissipative Polyurethane on steel rim.	
	Size	250 mm diameter x 80mm 2 wheels	
Passive casters	Materials	Non-marking Polyurethane on cast iron 200 mm diameter x 50mm, 4 casters, 2 wheels each (8 wheels total)	
Power	Voltage	42VDC - 57VDC (52.8 V Nominal)	
	Capacity	70 Ah Battery cell nominal capacity	
	Run Time	12.5 hours (unloaded), 9 hours (full load)	
	Recharge Time	23.33 minutes (20 - 80%) or 39 minutes (0 - 100%)	
	Battery Life Cycles	9000 recharge cycles (battery cell nominal)	
	Charging Method	Automatic / manual	
Standard	Harmonized Standard	EN ISO 12100, EN ISO 13849-1, EN 60204-1	
	Relevant Standard	EN 60204-1, ISO 10218, UL1564, UL2271, UL1740	
	Wireless	IEEE 802.11 a/b/g/n/ac	
Safety Features	Safety Scanning Lasers	(2) one at front right corner and one at back left corner for 360 degree of safety zones. Each laser has a 270 deg. field of view.	175 mm above floor 360°, 30 m range, Class 1, eye-safe PLd Safety per ISO 13849-1
	Emergency Stops	one at Operator Panel screen, four others on the side panels (2 on each side)	
	Low Lasers	(2) one at front -right and one at back-left. 180 degree field of view	
	Side Lasers	Optional	* 2 on sides of payload structure, factory mounted, user-adjustable
	Indicators	Light disks on each side, light strips on the front and back.	
	Speakers	(2) 3.5 in. speakers, (2) piezo buzzers	
Operator Panel	Display	7 in. diagonal LCD	
	Controls	Key switch*, pendant connector, and maintenance port, on, off, and brake-release buttons.	* Key switch can be used to disable the off button to avoid accidental shutdown or tampering
User Interface	Wireless	IEEE 802.11 a/b/g/n/ac	
	Ethernet Port	1 x maintenance LAN, 1 x user LAN, 2 x internal LAN	
	Digital I/O	8 inputs and outputs	
	Analog I/O	4 inputs and outputs	
	Audio	Digital audio out	

## Components and Functions

### MobilePlanner Software

Operating System	Windows 10 (32-bit/64-bit version)
CPU	1.5 GHz dual-core CPU recommended
Main Memory	1.5 GB min. (4 GB min. recommended)
Hard Disk	At least 200 MB of available space
Video Memory	256 MB min.
Display	XGA 1024 × 768, 16 million colors minimum
Supported Languages	English, German, Japanese, French, Italian, Korean, Spanish, Simplified Chinese and Traditional Chinese.

### EM2100 Appliance

Part Numbers	20271-900 (Primary Fleet Manager) 20271-901 (Secondary Fleet Manager) 20271-903 (Bundle, Fleet Simulator)
Dimensions- W × D × H	430 × 495.3 × 43.7 mm
Weight	9.1 kg
Mounting method	1U rack mount in a standard 19-inch equipment rack
Power Supply	100-240 VAC (typical 100 W)
Power Consumption	200W max.
Operating Temperature	10 to 35 °C
Storage Temperature	-25 to 60 °C
Operating Humidity	8 to 90%, non-condensing
Storage Humidity	5 to 95%, non-condensing
Chassis protection class	IP20
Main Memory	32 GB DDR3
Storage	60 GB SSD
Archive Storage	4 TB HDD
Communication port	10/100/1000 Ethernet × 4, USB × 4, VGA
Status Display	Multi-segment LCD

### High Accuracy Positioning System

Part Number	62925-010 and 62925-020	
Sensor	Depth	30 mm
	Width	165 mm
	Rating	IP64
	Environment	-40 to 85 °C
	LEDs	Power, tape present, left marker, right marker
Magnetic Tape	Width	25 mm
	Orientation	South up
Markers (Magnetic Tape)	Width	25 mm
	Length	300 mm min. for 500 mm/s drive speed
	Orientation	North up
	Separation From Tape	15 - 30 mm
Connections	Front Sensor	RS232-1
	Rear Sensor	RS232-2
	Power, Both Sensors	Aux power using the included splitter cable

### Cell Alignment Positioning System (CAPS)

Part Number	20271-805
Stop Position Accuracy	±8 mm position, ±1° rotation
Type	Software license

### Battery

Part Number	68330-000
Run Time (No Payload)	12.5 hours
Weight	68kg
Voltage	44 - 57VDC (52.8V Nominal)
Capacity	70Ah
Recharge Time	23.33 minutes (20 - 80%) or 39 minutes (0 - 100%)
Life Expectancy	9000 charge cycle 80% BOL capacity

### Docking Station

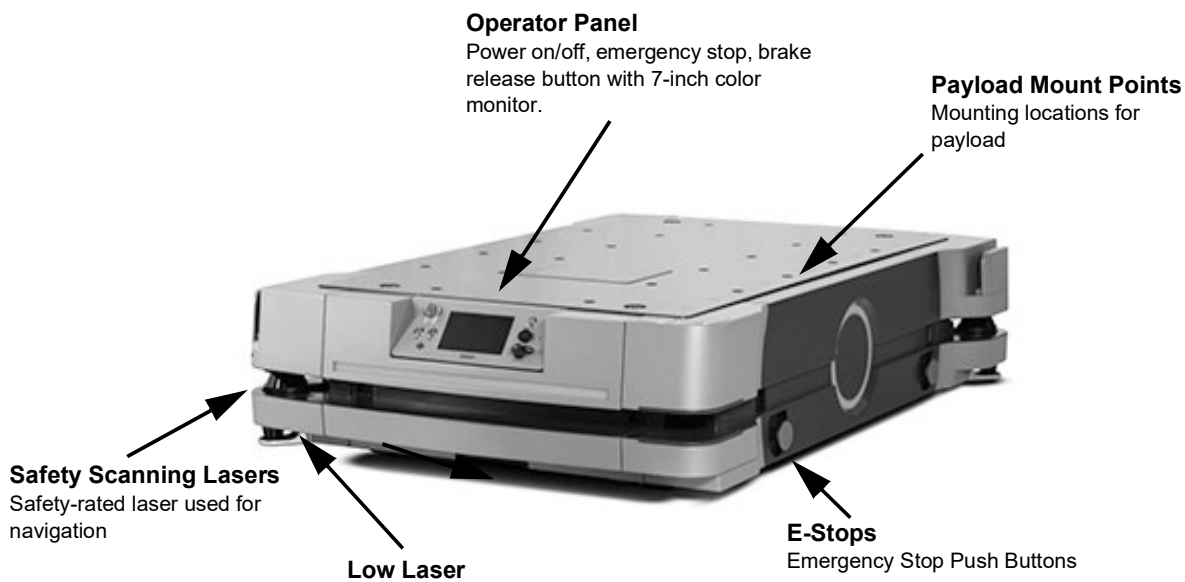
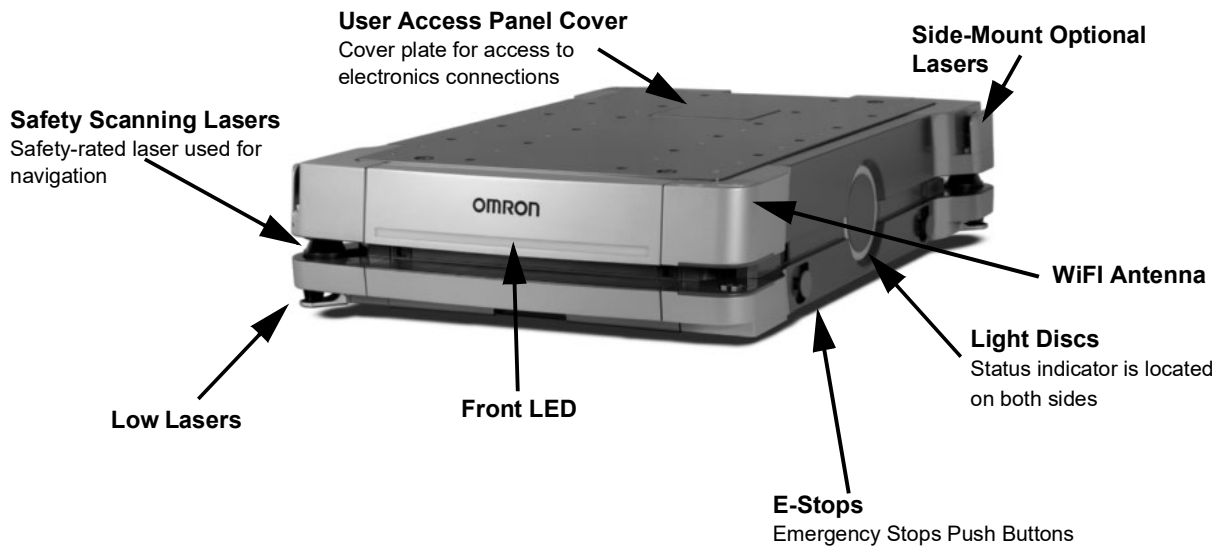
Part Number	68310-000 (power supply); 68910-000 (target)
Current	Input current: 23 A Output current: 120 A
Contacts	2
Power	200 - 240 VAC (Delta/Wye) 380 - 415 VAC (Wye only)
Power Consumption	7.3 kW
Humidity	5 to 95 %, non-condensing
Temperature	5 to 40° C
Dimensions (W × L × H)	Power supply: 610 x 333 x 1112 mm Charging target: 1256 x 503 x 297 mm
Weight	Power supply: 105 kg Charging target: 39 kg
Mounting	directly to floor and wall
Indicators	Power on: Blue Charging: Yellow Error: Red Operating: Green

### Pendant

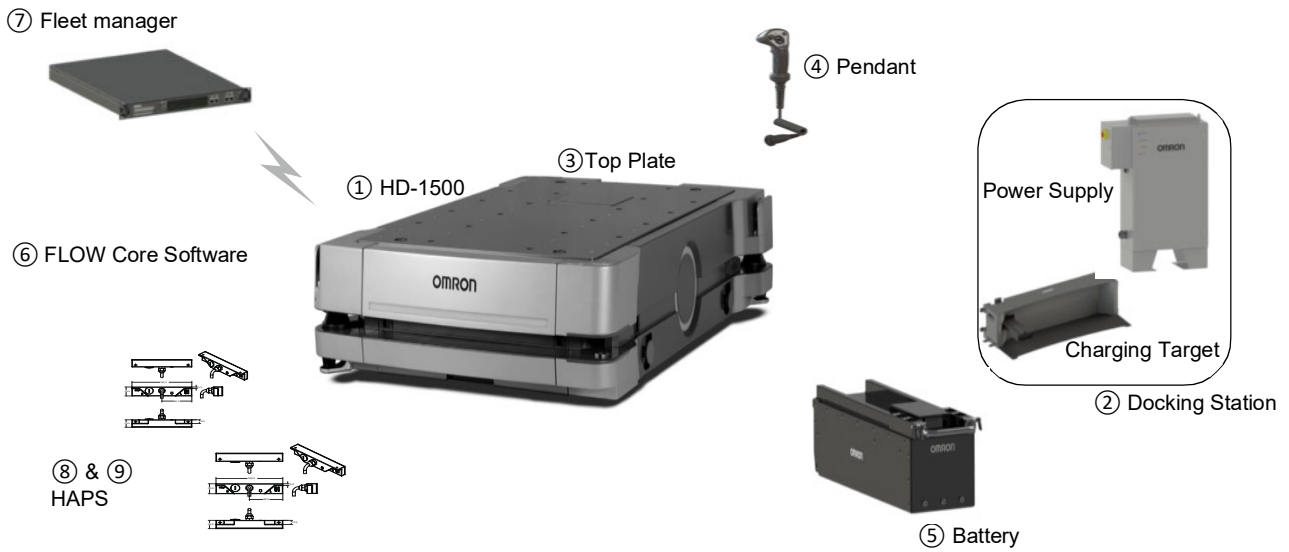
Part Number	68940-000L
Weight	0.55 kg
IP Rating	IP56

# HD Series

## HD-1500



Accessories



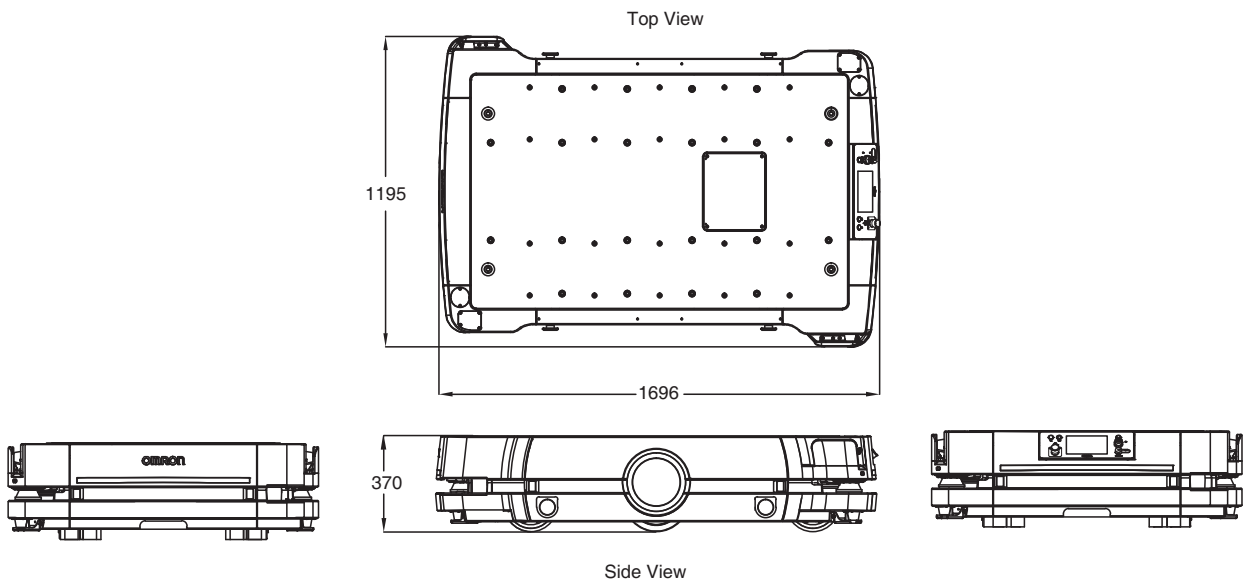
	Product Name	Part Number	Description	Notes
①	HD-1500	37480-00000	A mobile robot OEM running OMRON's FLOW Core Software. The battery is not included.	
②	Docking Station	68910-010	A docking station to charge the battery: Power supply: 68310-000 Charging target: 68910-000	Included in starter kit
③	Top Plate, HD-1500	68950-000	A upper plate of the mobile robot. It is not necessary for building customer payload.	
④	Pendant, HD-1500	68940-000L	Used for manually controlling the mobile robot.	
⑤	Battery, HD-1500	68330-000	A battery that is installed in the mobile robot.	-
⑥	FLOW Core Software	Embedded	OMRON'S mobile solution operating software supporting navigation, safety, fleet management and advanced features.	-
⑦	Fleet Manager	20271-900	EM2100 appliance with FLOW Core software configured for mobile robot fleet management.	-
⑧	High Accuracy Positioning System (Single sensor)	68925-010	A combination of sensor and magnetic tape to achieve accurate alignment during forward driving motion, when the sensor is attached to mobile robot and magnetic tape is on the floor.	Factory Installed (Not field installed)
⑨	High Accuracy Positioning System (Double sensor)	68925-020	A combination of two sensors and magnetic tape to achieve accurate alignment during forward and backward driving motions, when the sensors are attached to mobile robot and magnetic tape is on the floor.	Factory Installed (Not field installed)
⑩	Magnetic Tape	14925-000	Heavy duty magnetic tape for the High Accuracy Positioning System. The tape is applied to signal the mobile robot where to stop.	-
⑪	Side Laser Kit	68945-010	Includes side laser, mounting kit, and metal enclosures.	-

# HD Series

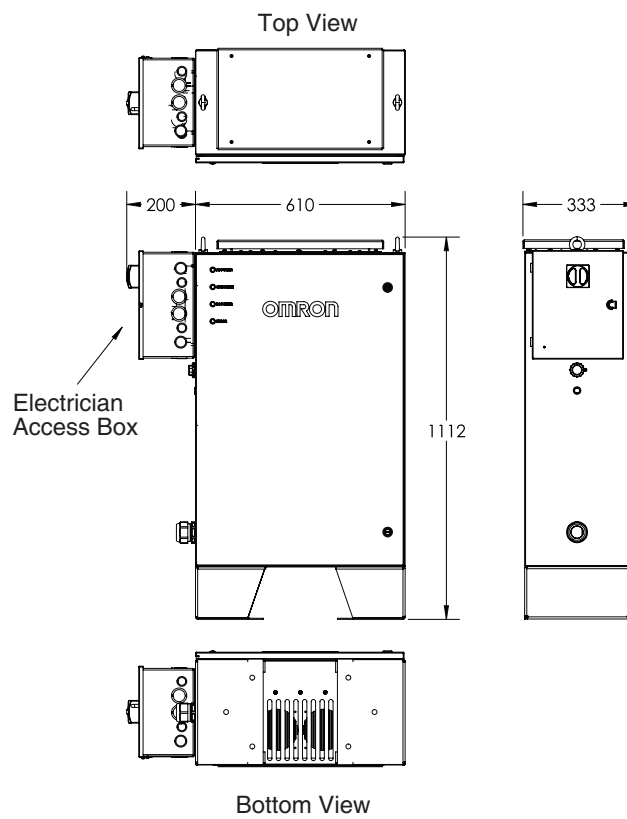
## Dimensions

(Unit: mm)

### HD-1500 Mobile Robot

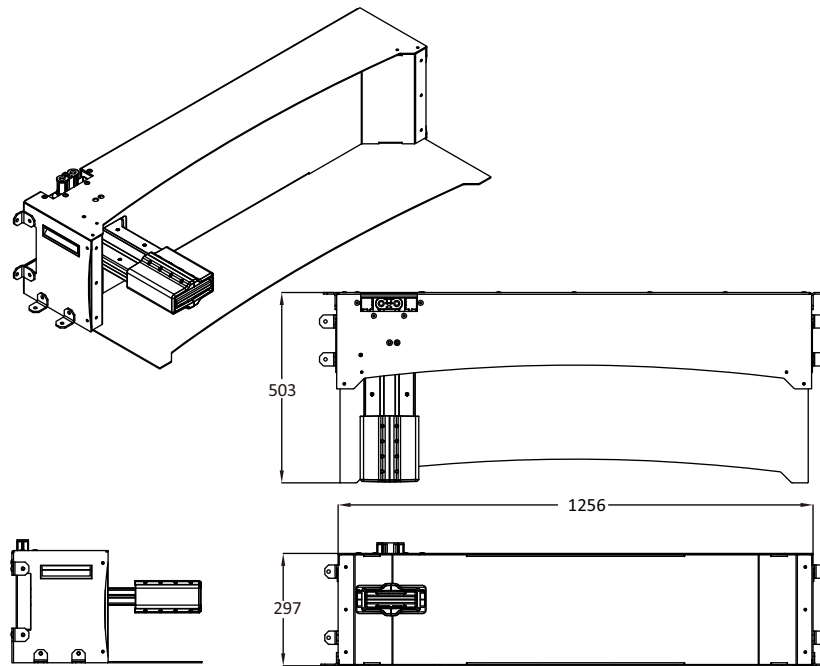


### Power Supply Box

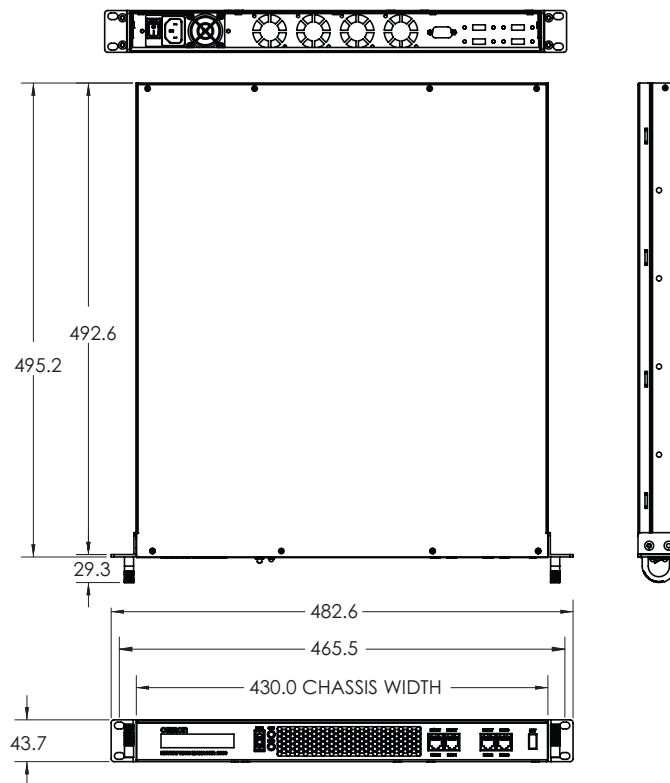




Docking Target

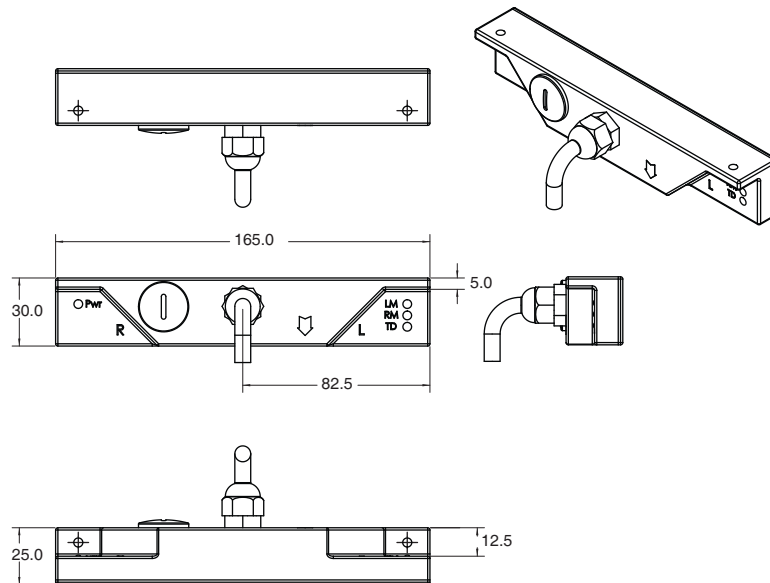


Fleet Manager EM2100 Appliance

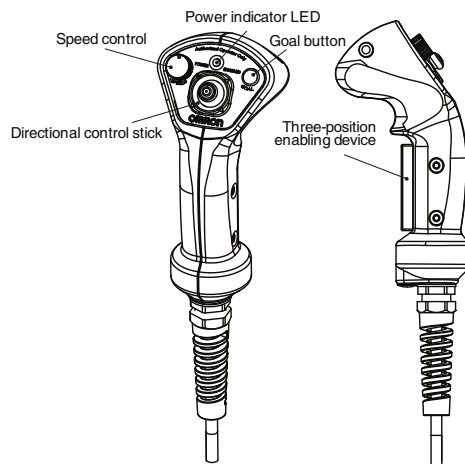


# HD Series

## High Accuracy Positioning System



## Pendant



## Related Manuals

Manual No.	English Title
I614	Mobile Robots Software Suite User Manual
I615	Enterprise Manager User Manual
I617	Advanced Robotics Command Language Reference Manual
I618	Advanced Robotics Command Language Enterprise Manager Integration Manual
I634	EM2100 Installation Manual
I635	Fleet Operations Workspace Core User Manual
I636	Fleet Operations Workspace Core Migration Manual
I637	Fleet Operation Workspace Core Integration Toolkit User Manual
I641	Fleet Simulator User's Manual
I645-E	HD-1500 User's Manual

- Intel, Xeon and Intel Xeon are trademarks of Intel Corporation in the U.S. and/or other countries.
- Other company names and product names in this document are the trademarks or registered trademarks of their respective companies.
- The product photographs and figures that are used in this catalog may vary somewhat from the actual products.
- Microsoft product screen shot(s) reprinted with permission from Microsoft Corporation.

# Terms and Conditions Agreement

## **Read and understand this catalog.**

Please read and understand this catalog before purchasing the products. Please consult your OMRON representative if you have any questions or comments.

## **Warranties.**

- (a) Exclusive Warranty. Omron's exclusive warranty is that the Products will be free from defects in materials and workmanship for a period of twelve months from the date of sale by Omron (or such other period expressed in writing by Omron). Omron disclaims all other warranties, express or implied.
- (b) Limitations. OMRON MAKES NO WARRANTY OR REPRESENTATION, EXPRESS OR IMPLIED, ABOUT NON-INFRINGEMENT, MERCHANTABILITY OR FITNESS FOR A PARTICULAR PURPOSE OF THE PRODUCTS. BUYER ACKNOWLEDGES THAT IT ALONE HAS DETERMINED THAT THE PRODUCTS WILL SUITABLY MEET THE REQUIREMENTS OF THEIR INTENDED USE.

Omron further disclaims all warranties and responsibility of any type for claims or expenses based on infringement by the Products or otherwise of any intellectual property right. (c) Buyer Remedy. Omron's sole obligation hereunder shall be, at Omron's election, to (i) replace (in the form originally shipped with Buyer responsible for labor charges for removal or replacement thereof) the non-complying Product, (ii) repair the non-complying Product, or (iii) repay or credit Buyer an amount equal to the purchase price of the non-complying Product; provided that in no event shall Omron be responsible for warranty, repair, indemnity or any other claims or expenses regarding the Products unless Omron's analysis confirms that the Products were properly handled, stored, installed and maintained and not subject to contamination, abuse, misuse or inappropriate modification. Return of any Products by Buyer must be approved in writing by Omron before shipment. Omron Companies shall not be liable for the suitability or unsuitability or the results from the use of Products in combination with any electrical or electronic components, circuits, system assemblies or any other materials or substances or environments. Any advice, recommendations or information given orally or in writing, are not to be construed as an amendment or addition to the above warranty.

See <http://www.omron.com/global/> or contact your Omron representative for published information.

## **Limitation on Liability; Etc.**

OMRON COMPANIES SHALL NOT BE LIABLE FOR SPECIAL, INDIRECT, INCIDENTAL, OR CONSEQUENTIAL DAMAGES, LOSS OF PROFITS OR PRODUCTION OR COMMERCIAL LOSS IN ANY WAY CONNECTED WITH THE PRODUCTS, WHETHER SUCH CLAIM IS BASED IN CONTRACT, WARRANTY, NEGLIGENCE OR STRICT LIABILITY.

Further, in no event shall liability of Omron Companies exceed the individual price of the Product on which liability is asserted.

## **Suitability of Use.**

Omron Companies shall not be responsible for conformity with any standards, codes or regulations which apply to the combination of the Product in the Buyer's application or use of the Product. At Buyer's request, Omron will provide applicable third party certification documents identifying ratings and limitations of use which apply to the Product. This information by itself is not sufficient for a complete determination of the suitability of the Product in combination with the end product, machine, system, or other application or use. Buyer shall be solely responsible for determining appropriateness of the particular Product with respect to Buyer's application, product or system. Buyer shall take application responsibility in all cases.

NEVER USE THE PRODUCT FOR AN APPLICATION INVOLVING SERIOUS RISK TO LIFE OR PROPERTY OR IN LARGE QUANTITIES WITHOUT ENSURING THAT THE SYSTEM AS A WHOLE HAS BEEN DESIGNED TO ADDRESS THE RISKS, AND THAT THE OMRON PRODUCT(S) IS PROPERLY RATED AND INSTALLED FOR THE INTENDED USE WITHIN THE OVERALL EQUIPMENT OR SYSTEM.

## **Programmable Products.**

Omron Companies shall not be responsible for the user's programming of a programmable Product, or any consequence thereof.

## **Performance Data.**

Data presented in Omron Company websites, catalogs and other materials is provided as a guide for the user in determining suitability and does not constitute a warranty. It may represent the result of Omron's test conditions, and the user must correlate it to actual application requirements. Actual performance is subject to the Omron's Warranty and Limitations of Liability.

## **Change in Specifications.**

Product specifications and accessories may be changed at any time based on improvements and other reasons. It is our practice to change part numbers when published ratings or features are changed, or when significant construction changes are made. However, some specifications of the Product may be changed without any notice. When in doubt, special part numbers may be assigned to fix or establish key specifications for your application. Please consult with your Omron's representative at any time to confirm actual specifications of purchased Product.

## **Errors and Omissions.**

Information presented by Omron Companies has been checked and is believed to be accurate; however, no responsibility is assumed for clerical, typographical or proofreading errors or omissions.

**OMRON Corporation Industrial Automation Company**

Kyoto, JAPAN

Contact: [www.ia.omron.com](http://www.ia.omron.com)

**Regional Headquarters**

**OMRON EUROPE B.V.**

Wegalaan 67-69, 2132 JD Hoofddorp  
The Netherlands  
Tel: (31)2356-81-300/Fax: (31)2356-81-388

**OMRON ASIA PACIFIC PTE. LTD.**

No. 438A Alexandra Road # 05-05/08 (Lobby 2),  
Alexandra Technopark,  
Singapore 119967  
Tel: (65) 6835-3011/Fax: (65) 6835-2711

**OMRON ELECTRONICS LLC**

2895 Greenspoint Parkway, Suite 200 Hoffman Estates,  
IL 60169 U.S.A.  
Tel: (1) 847-843-7900/Fax: (1) 847-843-7787

**OMRON ROBOTICS AND SAFETY TECHNOLOGIES, INC.**

4225 Hacienda Drive, Pleasanton, CA 94588 U.S.A.  
Tel: (1) 925-245-3400/Fax: (1) 925-960-0590

**OMRON (CHINA) CO., L.H.T.D.**

Room 2211, Bank of China Tower, 200 Yin Cheng Zhong Road,  
PuDong New Area, Shanghai, 200120, China  
Tel: (86) 21-5037-2222/Fax: (86) 21-5037-2200

Authorized Distributor:

© OMRON Corporation 2020 All Rights Reserved.  
In the interest of product improvement,  
specifications are subject to change without notice.

Cat. No. I855-E-03

0121(0720)