

Pallet Stand

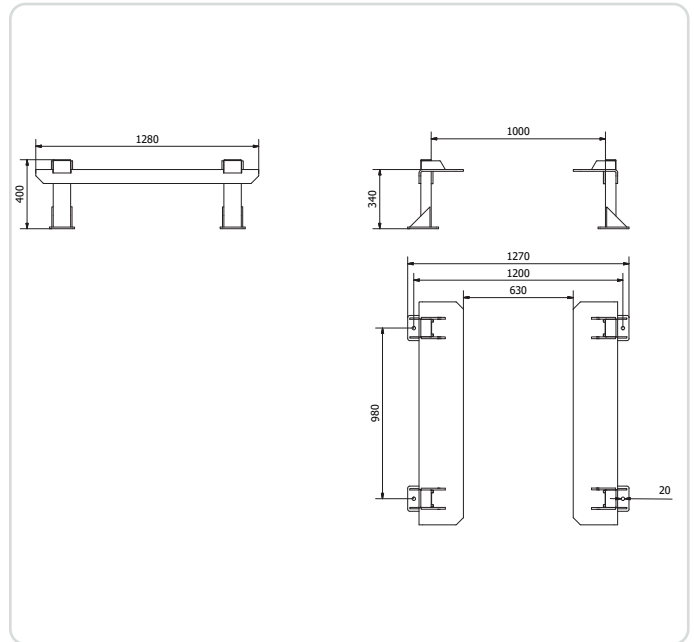
For EUR/US pallets



Compatible with

- HD1500
- MD650 - equipped with HDX 40E pallet lift
- Truck or electric pallet lifter

Simple. Durable. Efficient.



CesTek Generic Pallet Stand is compatible with HD1500 or MD650 - equipped with HDX 40E pallet lift. The pallet stand can also be serviced with a truck or electric pallet lifter. The stands can be setup for both EUR pallets or US pallets with pallet platform height 320 mm. Pallet stand has bolt holes for floor fixation.

GENERAL

Item No	20106100
Type	Pallet Stand
Material	Steel S355
Colour	Yellow
HS-Code	8428.90.90 00
Country of origin	DK

DIMENSIONS

Length	1280 mm. (per side of stand)
Width	320 mm. (per side of stand)
Height	400 mm. (per side of stand)
Weight	110 kg. (standard) 150 kg. (wide) (total pallet stand)
Payload	1250 kg.

CONFORMITY STANDARDS

2006/42/EF Machinery Directive
